

RB220 TONEARM

Introduction

The **RB220** is the latest version of one of Rega's most popular tonearms.

The **RB220** uses Rega's custom one piece, aluminium arm tube, carefully manufactured to optimise performance and reduce stress on the Rega designed polymer bearings (patent pending). Each tonearm is meticulously hand assembled using custom Rega made tools and torque settings to guarantee optimum performance. This level of care ensures perfect tracking and maximises the amount of information the cartridge can extract from the record surface.

The **RB220** has pre-set bias making this arm even easier to set-up than previous models. The Rega designed bias system will adjust the amount of bias as the tonearm tracks the record ensuring even tracking and negating the need for user setting.

This Rega tonearm is a precision crafted product. To create the low friction levels and meet minimum mass requirements, many parts of the arm are delicate and require careful handling. The arm should always be treated with respect and under no circumstances should any part be removed or tampered with. Any attempt to modify or repair this product, other than by an official Rega retailer listed on www.rega.co.uk, will invalidate the lifetime warranty.

Set-up

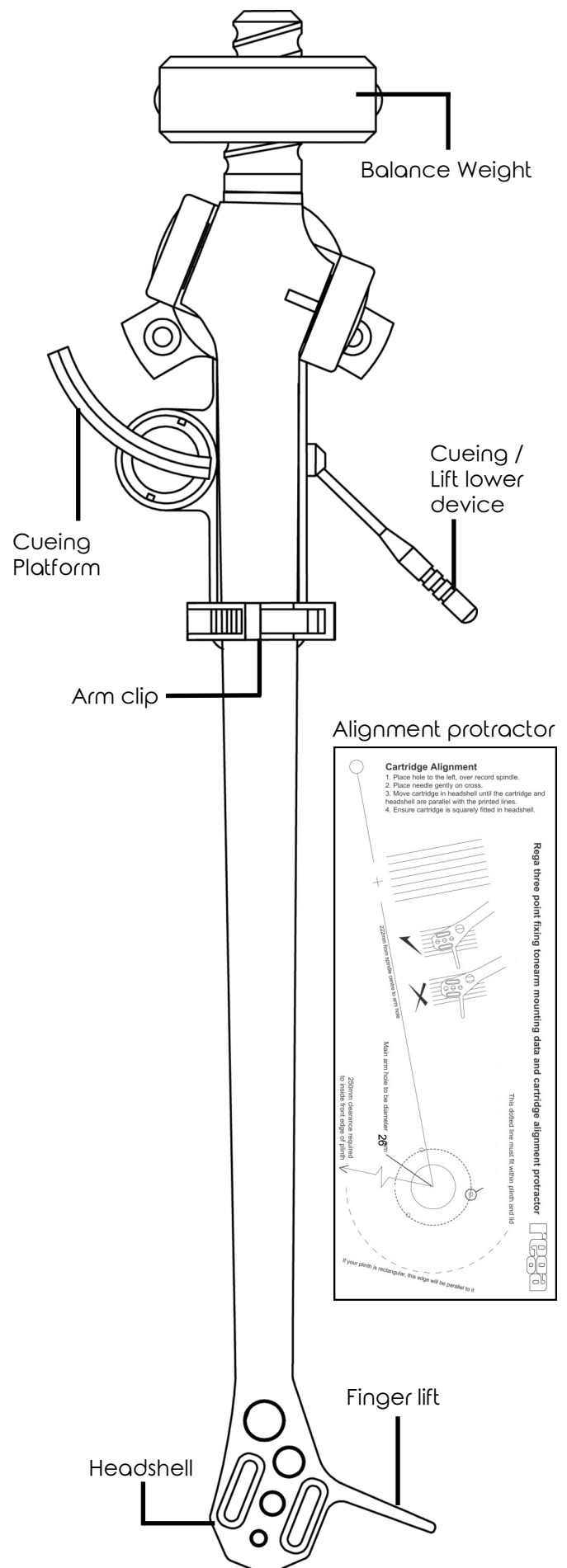
With the cartridge fitted and aligned using the alignment protractor supplied, screw the balance weight along its shaft until the stylus is "floating" approximately 1mm clear of the record. The recommended tracking force can now be applied by rotating the balance weight so that it moves towards the front of the arm. A half turn (through 180 degrees) generates 1 gram of tracking pressure (turning the weight 360 degrees will apply 2 grams). Use the plastic inserts found on the weight as a guide.

Set the tracking weight to the upper limit of the suggested tracking weight provided by your cartridge manufacturer's guidelines. As mentioned above, bias setting is pre-set and does not require adjusting. Your Rega **RB220** tonearm is now ready for use.

If you have any doubts regarding correct setup or fitment of this arm please contact your official Rega dealer who will be able to carry out the work for you.

Thank you for purchasing this Rega product and we wish you many years of musical enjoyment.

Names of Tonearm parts



Fitting your Tonearm

The **RB220** will directly replace any other Rega tonearm that currently uses the three point mounting without any modification. If fitting to another manufacturers product or an older Rega turntable (with the single point nut fixing), the supplied template should be used as a guide to ensure correct position and alignment. With so many variants in turntable models it is important to contact your turntable manufacturer if in any doubt before making any holes in plinths or arm boards. Before attempting to fit the **RB220** arm to the turntable it is important to ensure that there is sufficient clearance beneath the turntable and that the arm does not hit the lid, top or sides. Having checked that there is sufficient clearance in all directions (including the maximum potential arm movement horizontal and vertical) the next step is to find the position of the centre of the arm mounting hole. The easiest way to do this will probably be to use the arm mounting template supplied.

Arm mounting template guide

The supplied template is for mounting Rega three point fixing arms to other manufacturers turntables. N.B A protractor for cartridge alignment is also printed on the same template.

1. The template should be kept flat and not bent. The distance between the centre of the spindle and the centre of the arm hole is critical and must be 222mm. This template will help you check your positioning before you attempt fitting and drilling.

3. Position the other end of the template so that the clearance arc is within the rear and side edges of the turntable base (and the lid when closed). Also check that there is at least 250mm clearance from the centre of the hole to the inside front of the turntable.

4. Use a long pointed probe such as a needle and push it through the 'arm hole centre' on the template. Keep the needle perpendicular to the template and mark the position of centre on the turntable.

5. Having marked the centre, check again that if the arm is placed in this position it will clear the under side of the turntable and the lid. Also, check that the arm is in a satisfactory position to ensure easy operation and that the position is pleasing aesthetically. When you are certain that the arm hole centre is in its correct position (exactly 222mm from the record centre), you can drill the required arm hole.

6. The arm mounting pillar requires a diameter of 25mm which will provide adequate clearance for accurate fitting. You can then drill the three screw mounting holes as illustrated on the template. Make sure the arm is straight and the holes are correctly aligned before drilling.

7. With the holes drilled, you are now ready to fit the arm to the turntable. Ensure that you also follow the turntable manufacturer's instructions regarding arm fitting. Each individual turntable manufacturer may have different requirements regarding positioning of the arm signal lead.

