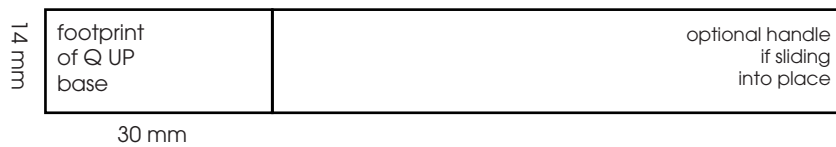


The Q UP[®]

Cut on the line so you will have accurate templates.

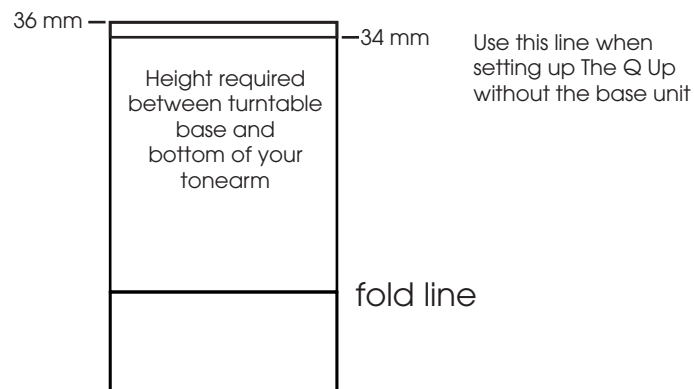
TEMPLATE 1

Slide this template between the platter and tonearm.
The actual depth of The Q UP is 12.5 mm but you will probably want a little more space for easy fitting and that is why this template is 14 mm.



TEMPLATE 2

This template will let you know if you have enough space between the bottom of your tonearm and the base where you will set The Q UP. Cut it out and fold it along the line. Place a record on your platter and put the arm into the center of the record with the stylus touching the vinyl. Carefully slide it under the tonearm. If it does not touch then you have compatibility.



Be sure to print at 100%
NO SCALING